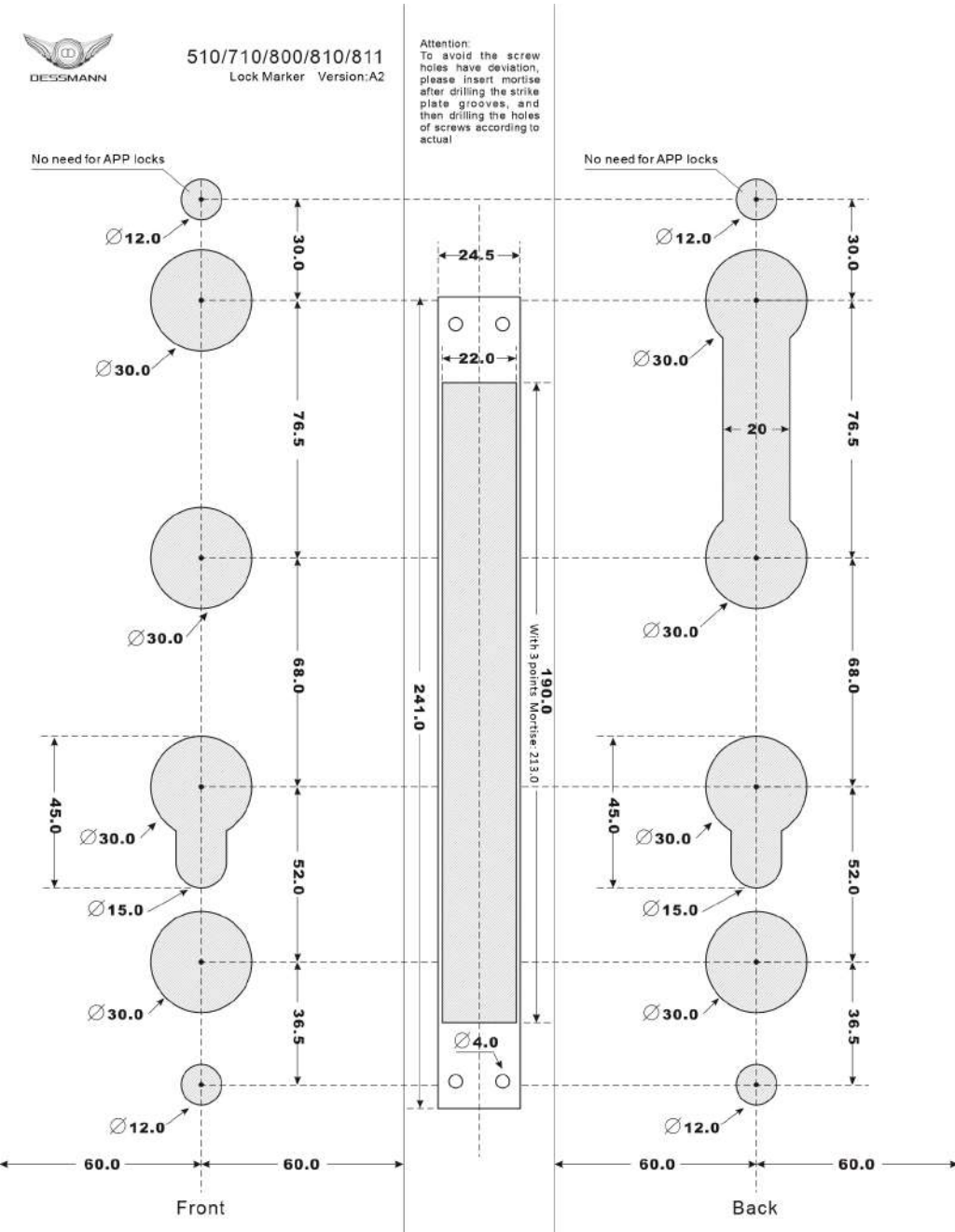




510/710/800/810/811  
Lock Marker Version:A2

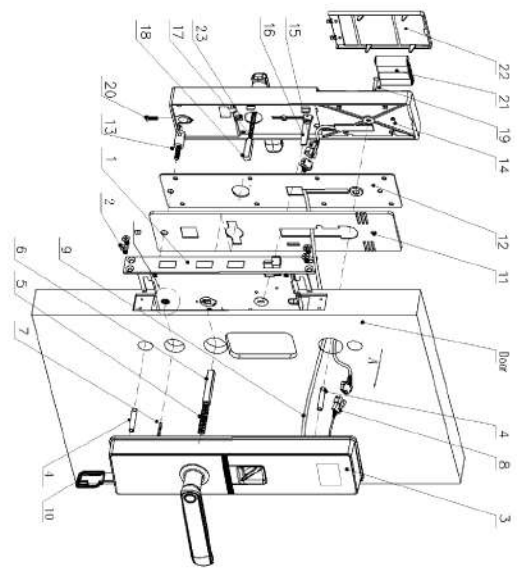
Attention:  
To avoid the screw holes have deviation, please insert mortise after drilling the strike plate grooves, and then drilling the holes of screws according to actual



Note: Before installation, please reconfirm if the mortise is consistent with the demands of door lock (mortise screw direction, mortise spring bolt direction and striking block direction); then proceed to next installation step.  
Reminder: All diagrams here are for reference only; specifications are subject to the physical product.

### 710/800/810 Installation Instruction

1. Lock Mortise
2. ST4 × 25mm SS Countersunk Screw (Wood Door)
3. M5 × 12mm SS Countersunk Screw (Other Door)
4. Panel/Assembly
5. Panel Connector Nuts
6. Spindle Spring
7. Front Panel Square Spindle
8. Cylinder Tailpiece
9. Power Wire
10. Mechanical Key
11. Water-proof Rubber Pad
12. Back Panel Cover
13. Extended Panel Fastening Screw
14. Back Panel Assembly
15. Power Wire Socket
16. Thumb Turn Tailpiece
17. Spindle Spring
18. Back Panel Square Spindle
19. Extended NS Countersunk Screw
20. M5 × 12mm Countersunk Screw
21. AA Battery
22. Battery Compartment Cover
23. Handle Reversing Mechanism



### Installation Instruction

- 1. Lock Mortise
- 2. ST4 × 25mm SS Countersunk Screw (Wood Door)
- 3. M5 × 12mm SS Countersunk Screw (Other Door)
- 4. Panel Connector Nuts
- 5. Spindle Spring
- 6. Square Spindle
- 7. Front Panel Assembly
- 8. Fixed Plate
- 9. Panel Fastening Screw
- 10. Extended M5 SS Countersunk Screw
- 11. M5 × 12mm SS Countersunk Screw
- 11. Back Panel Assembly

**Tips:** Before installation, please reconfirm if the mortise is consistent with the demands of door lock (mortise screw direction, mortise spring bolt direction and striking block direction), then proceed to next installation step.

**Reminder:** All diagrams here are for reference only, specifications are subject to the physical product.

